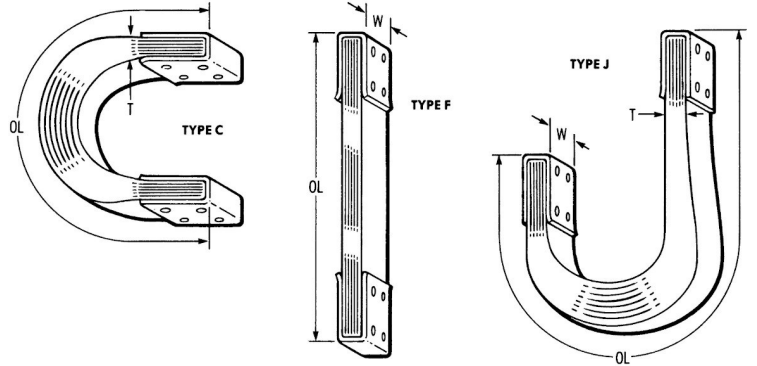


## Shunt Order Sheet

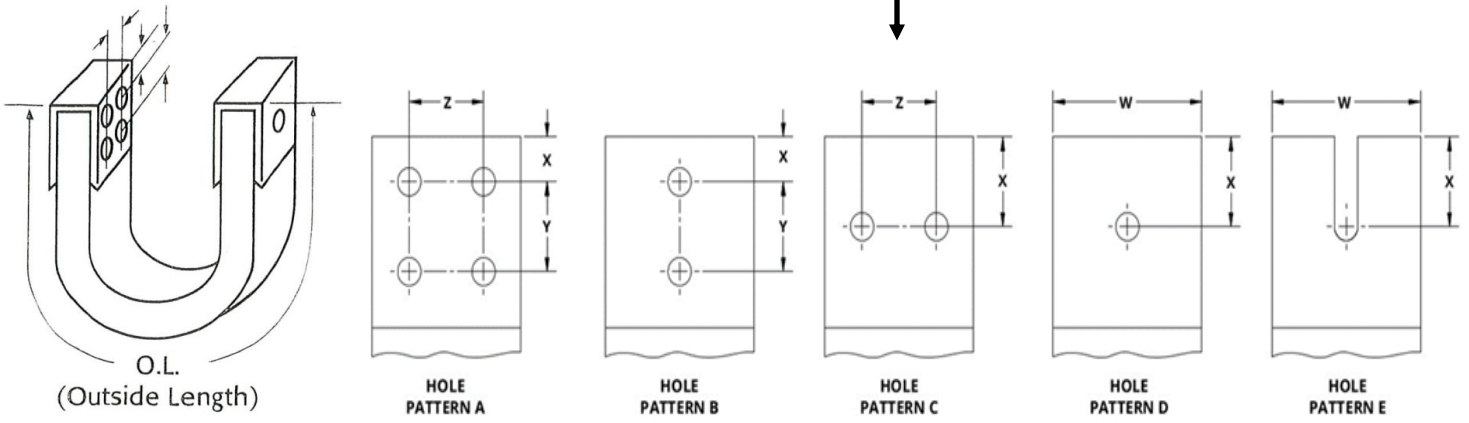
Resistance Welding Products manufactures top-of-the-line shunts in Canada with short lead times, lower resistance, enhanced performance, durability, customization options, and unmatched customer support.

Laminated Copper Shunts are made to your size and shape specifications. The terminal end clips are riveted into place.

Loose ends or soldered dipped ends are also available.



TYPE	OL Outside Length	IL Inside Length	W Width	T Thickness (Less Clip)	Hole Dia.	Hole Pattern	End Style	QTY
C					Write in			
F					Details			
J					Below			
L								



**Customer Information:**

Company Name: \_\_\_\_\_

Address: \_\_\_\_\_

Buyer Name: \_\_\_\_\_

Email: \_\_\_\_\_

Telephone: \_\_\_\_\_

PO#: \_\_\_\_\_